



## FDS229-R, FDS229-A

Cerberus® PRO

### Alarm sounder beacon



For the automatic addressable detector bus C-NET

- 
- Alarm sounder beacon 11 tonalities selectable, 2 activation levels programmable
  - Sound intensity up to 99 dBA, adjustable on 3 levels
  - The beacon has a fixed flashing sequence, flash mode adjustable
  - Power supply and communication via C-NET
  - Compatible to the addressable detector base
  - Use of base accessories possible
  - Monitoring of device status

## Characteristics

---

- **Environmental**

- ecologically processing
- recyclable materials
- electronic und synthetic material simple separable

- **Characteristics**

- protected electronics, high-quality components
- integrated short-circuit isolator
- sound intensity and sounds adjustable, sounds are synchronized with all alarm devices
- flash mode adjustable
- addressable bases FDB221/222 with screw less connection terminals
- power is supplied via C-NET, no auxiliary power supply required
- very low operating current
- periodic testing of the acoustic part (not audible)
- monitoring of device status

## FDS229-R, FDS229-A Alarm sounder beacon

---

FDS229-R



### Function

- acoustic and optical alarming in case of fire alarm, clearly recognizable as danger signal
- sounds are synchronized with all alarm sounders FDS221 and sounder bases DBS720 of the same detector line (C-NET)
- flash mode
- the beacon flashes each time the alarm sounder is active
- alarm sounder and beacon are activated separately

FDS229-A



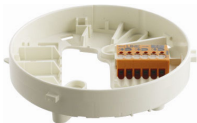
### Application

- along escape routes
- corridors
- stair cases

## Accessories

---

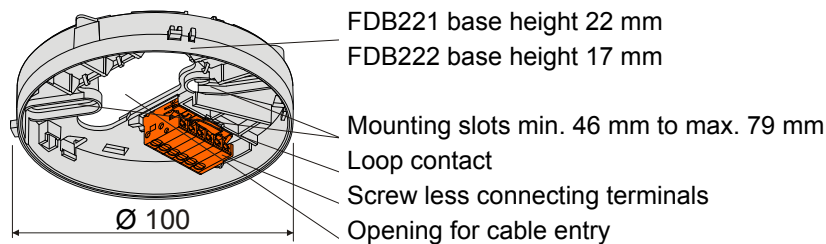
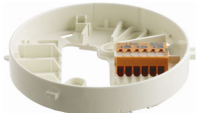
FDB221



### Addressable base FDB221 and FDB222

- FDB221 base with stand-offs and FDB222 base flat with addressable signal processing
- terminals 'orange', wire cross-sectional area from 0.2 to 1.5 mm<sup>2</sup>
- for surface supply wiring, cable diameter up to 6 mm otherwise use base attachment FDB291
- FDB222 for recess supply wiring

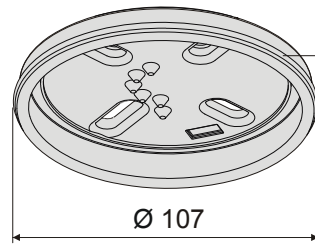
FDB222



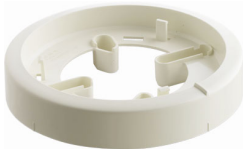


### Sealing element FDBZ295

- for higher protection category
- Use only with base FDB221 and for recess supply wiring

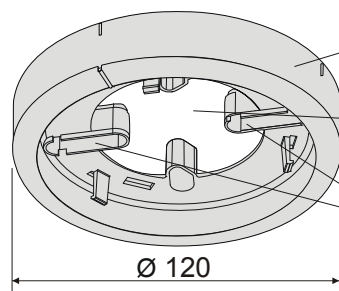


Height 30 mm  
Height with inserted alarm sounder beacon 55 mm



### Base attachment FDB291

- for the supply of surface-mounted lines > Ø6 mm (break-outs)
- detector base FDB221 fixed with spring-loaded catch

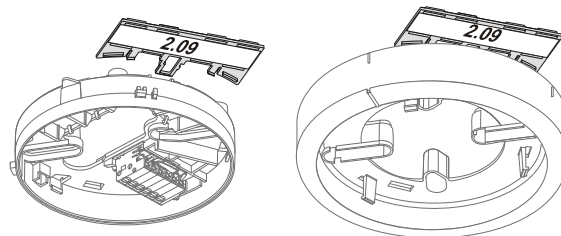


Base height 25 mm  
Height with inserted alarm sounder beacon 54 mm  
Opening for cable entry  
Mounting slots min. 46 mm to max. 90 mm



### Designation plate FDBZ291

- to identify the location address
- compatible for base FDB221/222 and base attachment FDB291



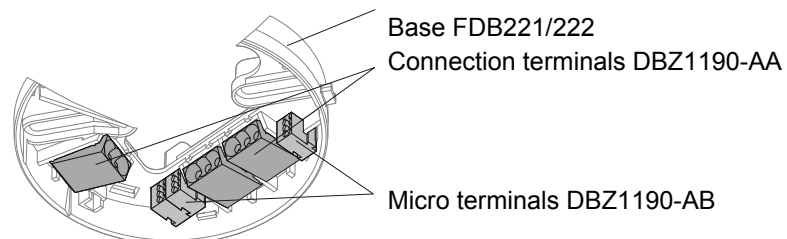
### Micro terminal DBZ1190-AA

- for conductors of max. 0.5 mm<sup>2</sup>



### Connection terminal DBZ1190-AB

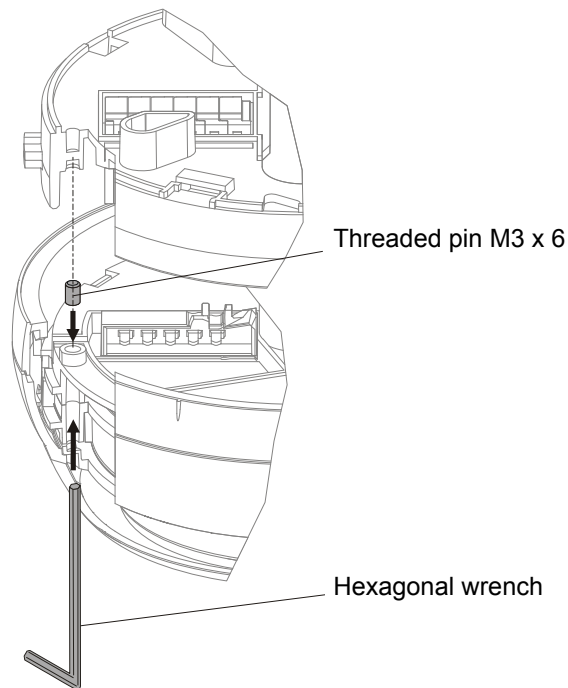
- for conductors of max. 2.5 mm<sup>2</sup>
- for the connection of alarm indicators or cable screening





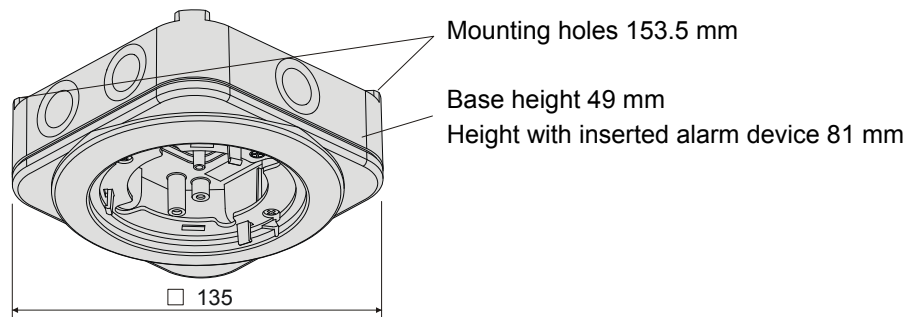
### Detector locking device FDBZ293

- to protect the detector against theft



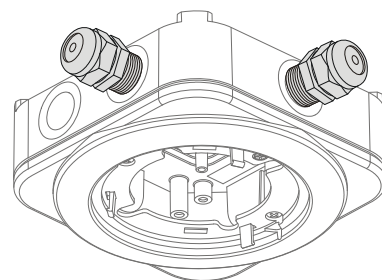
### Base attachment humid FDB293

- for higher protection category
- for mounting in humid or wet environments
- detector base FDB221 fixed with spring-loaded catch



### Metal screwed cable gland M20 x 1.5

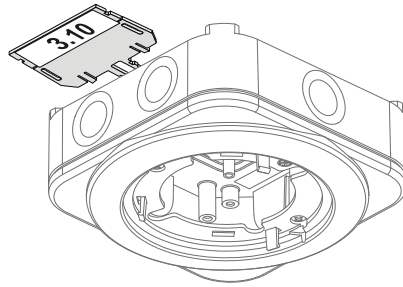
- for surface supply wiring for base attachment humid FDB293





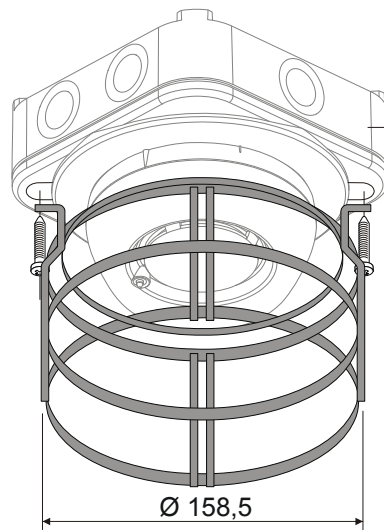
### Detector designation plate DBZ1193A

- compatible for base attachment humid FDB293



### Protective cage DBZ1194

- for the protection of the detector against damage
- can only be used together with the base attachment humid FDB293



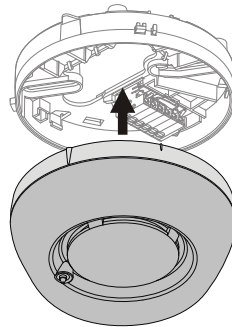
Base height with inserted protective cage 145 mm

Ø 158,5

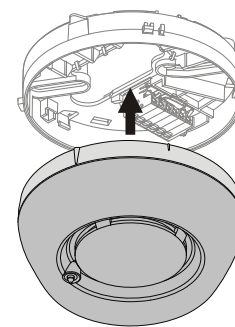
## Installation

- The alarm sounder beacon FDS229-R, FDS229-A is inserted directly in the detector base and mounted on walls or on the ceiling.
- for recess supply wiring
- for surface supply wiring, cable diameter up to 6 mm in diameter with base FDB221, otherwise use base attachment FDB291 or use base attachment humid FDB293
- for higher protection category use sealing element FDBZ295, only with recess supply wiring

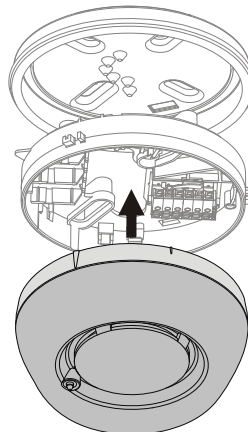
FDB221 detector base addressable



FDB222 detector base flat, addressable

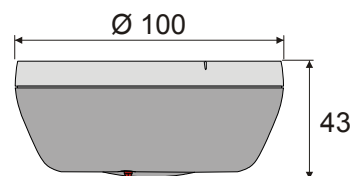


FDBZ295 sealing element and FDB221 detector base addressable




## Dimensions

FDS229-R, FDS229-A without base



- Height with base FDB221 = 52.5 mm
- Height with base FDB222 = 47.5 mm
- Height with base FDB221 and sealing element FDBZ295 = 55 mm

## Technical data

 Siemens Schweiz AG, CH-6301 Zug Date: see manufacturing date on the product 0786-CPD-20345	Operating voltage	12... 33 VDC
	Operating current (quiescent)	250 µA
EN54-3, EN54-17 Alarm sounder beacon; Safety in case of fire FDS229-R, FDS229-A Technical data see Doc. 010095	– Sound activated	3.5 mA
	– Beacon activated	3.5 mA
	– Sound and beacon activated	7.0 mA
Number of sounds	11	
		2 activation levels
		3 sound intensities
Sound intensity	80... 99 dBA	
Number of flashing patterns	1 (intermittent)	
Light intensity (unit: candela, cd) at 32 VDC (depending on the viewing angle -30... +30 °):		
– with hood red	1.27... 3.2 cd	
– with hood orange	1.1... 2.8 cd	
Ext. alarm indicator (AI)	2	
Operating temperature		
– FDS229-R (red)	-25... +65 °C	
– FDS229-A (orange)	-25... +55 °C	
Storage temperature	-30... +75 °C	
Humidity	≤95 % rel.	
Communication protocol	C-NET	
Connection terminals	according to detector base	
Color		
– FDS229-R	transparent red	
– FDS229-A	transparent orange	
Protection category EN60529 / IEC529 with		
– base FDB221 or FDB222	mounting on the wall with cable feed	
– base attachment FDB291	from bottom → IP43, otherwise IP42	
– base FDB221 and sealing element FDBZ295	IP44	
– base attachment humid FDB293	IP54	
Standards	EN54-3, EN54-17	
Approvals	FDS229-R	FDS229-A
– VdS	G207156	G207156
– LPCB	126ar/01	126ar/02
System compatibility C-NET	FS720	
QS standards	Siemens Standard SN 36350	

## Details for ordering

	Type	Part no	Designation	Weight
Accessories	FDS229-R	A5Q00023093	Alarm sounder beacon, red	0.130 kg
	FDS229-A	A5Q00023092	Alarm sounder beacon, orange	0.130 kg
	FDB221	A5Q00001664	Detector base addressable	0.026 kg
	FDB222	S54319-F1-A1	Detector base addressable, flat	0.025 kg
	FDBZ293	A5Q00005035	Detector locking device (2 hexagonal key, 100 hexagonal socket pins)	0.035 kg
	FDBZ295	S54319-F10-A1	Sealing element	0.030 kg
	FDB291	A5Q00001603	Base attachment	0.035 kg
	FDBZ291	A5Q00002621	Designation plate (10x)	0.034 kg
	FDB293	A5Q00003945	Base attachment humid	0.320 kg
	–	A5Q00004478	Metal screwed cable gland M20 x 1.5	0.039 kg
	DBZ1193A	BPZ:4864330001	Designation plate (10x)	0.076 kg
	DBZ1194	BPZ:4677110001	Protective cage	0.176 kg
	DBZ1190-AA	BPZ:4677080001	Micro terminal 0.28... 0.5 mm <sup>2</sup>	0.001 kg
	DBZ1190-AB	BPZ:4942340001	Connection terminal 1.0... 2.5 mm <sup>2</sup>	0.007 kg

Details see equipment overview A6V10225323